

J U S T
F O A M I
M A D E I N U S A

HIGH PERFORMANCE SURFBOARD FOAM

SPRING 2008 BLANK CATALOG

SHAPERS

Just Foam opened our doors for business last week. I wanted to get blanks to some hand shapers as they are much more critical of acceptable and mediocre foam than machine finishers. During this past week we received feedback from our first samples to the following shapers; Michael Baron, owner/shaper, Byrne Surfboards; Terry Martin, head shaper for Hobie Surfboards; Al Merrick, owner/shaper Channel Islands Surfboards; Gary McNabb, owner/shaper Nectar Surfboards; Timmy Patterson, owner/shaper Patterson Surfboards, Tommy Maus, owner/shaper Takayama Surfboards with the following results:

Michael Baron (MB); (hand shaped) “Hand shaped better than any foam I have ever worked with, perfectly consistent throughout the blank, much harder than the Just Foam blanks prior to the fire yet easier to shape and no tearing whatsoever. Super good cell structure. It glassed great too!”

Terry Martin; (hand shaped) Terry actually skipped (like a child at Christmas) through his second and third pass to see if the foam would tear and then claimed excitement for the first time in years. “The foam is consistent from top to bottom with no pour lines, no change in consistency, very lightweight and very hard, yet very easy to shape. I pushed my planer as fast as I could with no tearing, even down to the center while doing the rails. This is the most excited I have been in years of shaping. I actually look forward to hand shaping this foam in the future. The Comp lite is comparable in hardness to the US Foam green version but at 20-30% less weight. The 9.3 blank I shaped was perfect in dimension and the natural rocker fits most rockers I use. Congratulations Just Foam!”

Al Merrick; Don’t change a thing, fantastic foam. Bobby will have his as soon as they are glassed!

Gary McNabb; (hand shaped) “This foam cut perfectly without any inconsistency whatsoever. The first time in many years I have been able to do 2 passes with the planer with out hitting a hard or soft spot of some sort. The foam sands down very easily for as hard as it is with excellent looking cells and straight stringers. Congratulations to Just Foam for giving the shapers what they have wanted for years!”

Timmy Patterson; “Just Foam blanks were great before and they’re even better now. They are consistent throughout and easy to finish while still being very hard foam. We are saving a lot of time on each blank with a better finished board!” The blanks fit our production perfectly. They are super white too, really white! These are going to look good in the shops!

Tommy Maus; “Harder all the way thru than any foam on the market, tighter cells and more consistent too! What a pleasure to shape. The Takayama team liked the difference in performance before, now the whiteness and light weight will stoke everybody.”

Jeff Booth; Told his shaper the Just Foam blank was the best performing foam he has ever surfed. The pop out of the turns was unbelievable. He was absolutely stoked with the new foam.

As the above shapers have testified to, our new Just Foam blanks are superior to any other polyurethane foam blank on the market today. But don’t take their word for it, try one your self. We anticipate to have our first shift maxed out soon, therefore we are encouraging each of you to pre order your monthly needs as we will be filling our pre-ordered monthly orders on a first come first served basis. Don’t be left out without Just Foam blanks in your arsenal.

SIZE

6' 1"

BOTTOM LENGTH

6' 2"

TIP TO TIP DECK LENGTH

6' 1 1/2"

MAXIMUM WIDTH

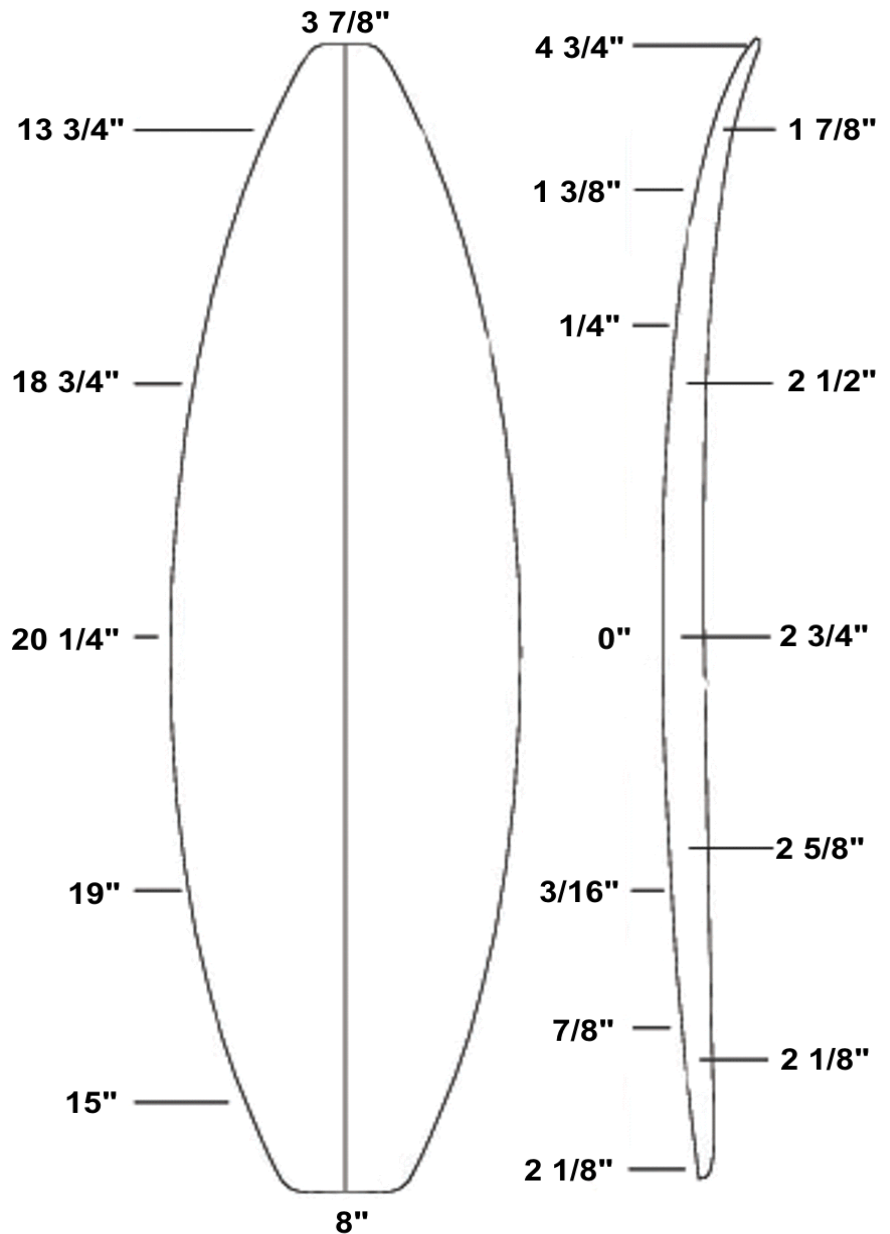
20 1/4"

MAXIMUM THICKNESS

2 3/4"

SHAPED BY:
JERRY OKEEFE

TYPICALLY USED FOR:
HIGH PERFORMANCE
SHORTBOARDS



SIZE

6'2" (FISH)

BOTTOM LENGTH

6' 2"

TIP TO TIP DECK LENGTH

6' 1 1/4"

MAXIMUM WIDTH

23 1/4"

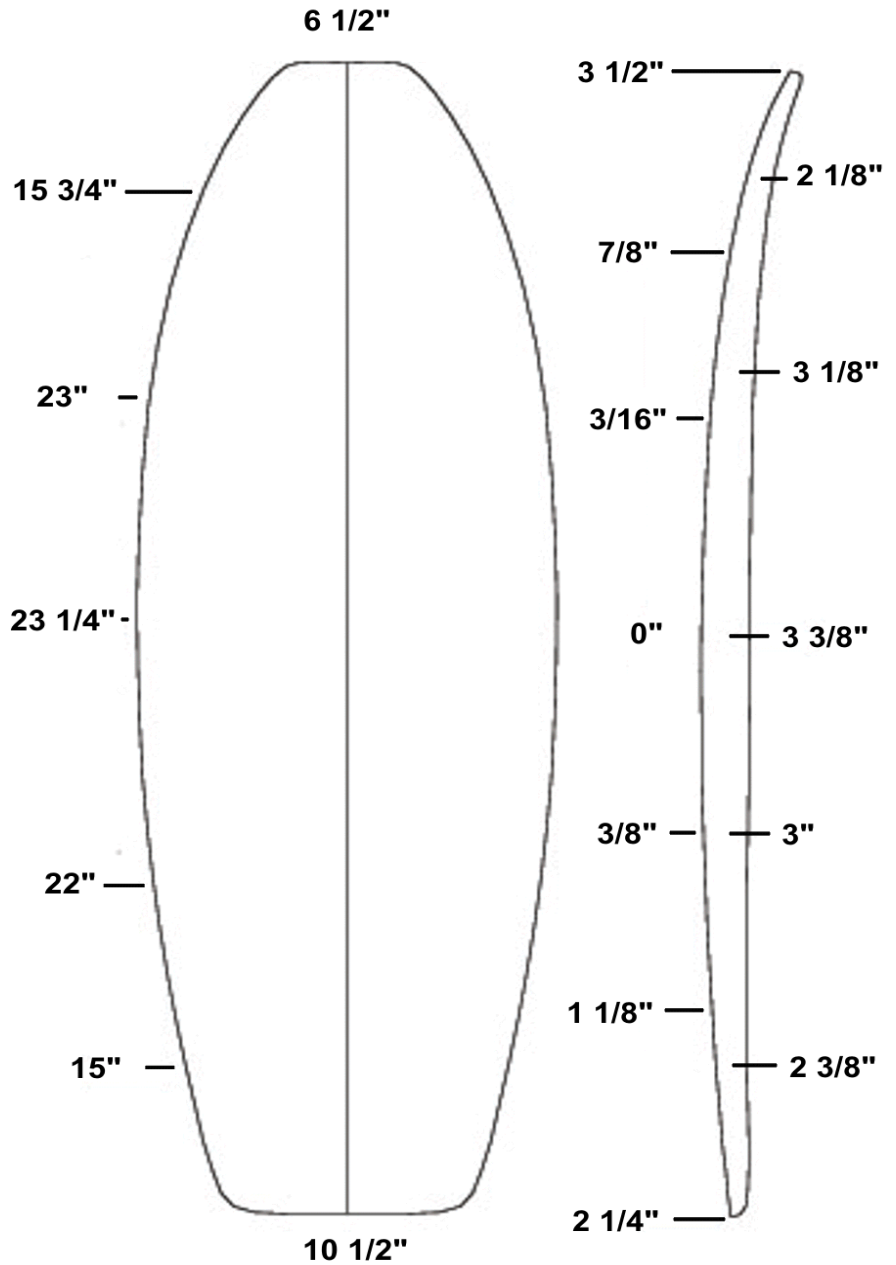
MAXIMUM THICKNESS

3 3/8"

SHAPED BY:

PRO CAM

TYPICALLY USED FOR:
SMALLER FISH SHAPES
AND RETRO SHAPES



SIZE

6' 4" M

BOTTOM LENGTH

6' 5 1/4"

TIP TO TIP DECK LENGTH

6' 4 1/4"

MAXIMUM WIDTH

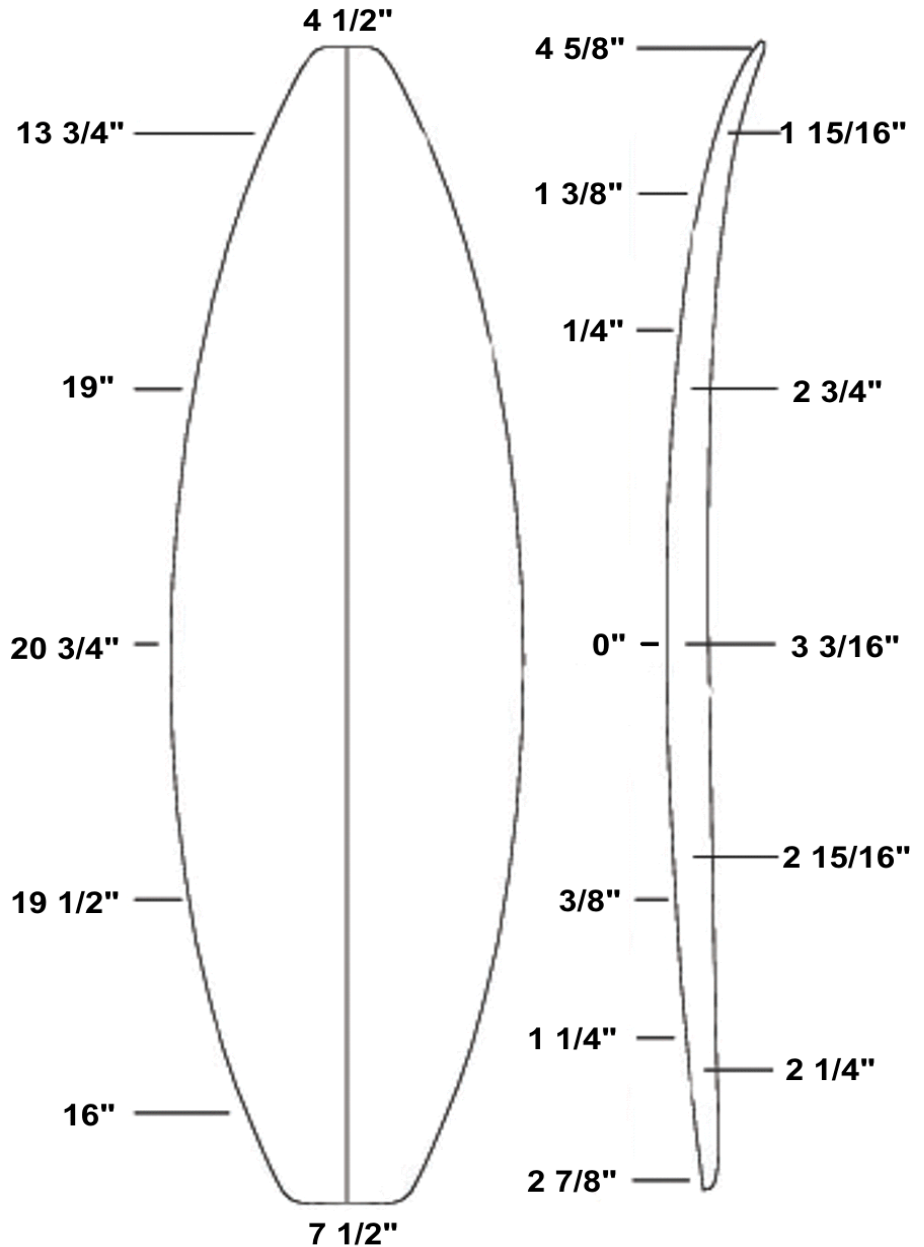
20 3/4"

MAXIMUM THICKNESS

3 3/16"

SHAPED BY:
JERRY OKEEFE

TYPICALLY USED FOR:
HIGH PERFORMANCE
SHORTBOARDS



SIZE

6' 4" H

BOTTOM LENGTH

6' 5 1/4"

TIP TO TIP DECK LENGTH

6' 4 1/4"

MAXIMUM WIDTH

20 3/4"

MAXIMUM THICKNESS

2 3/4"

BLANK TYPE:

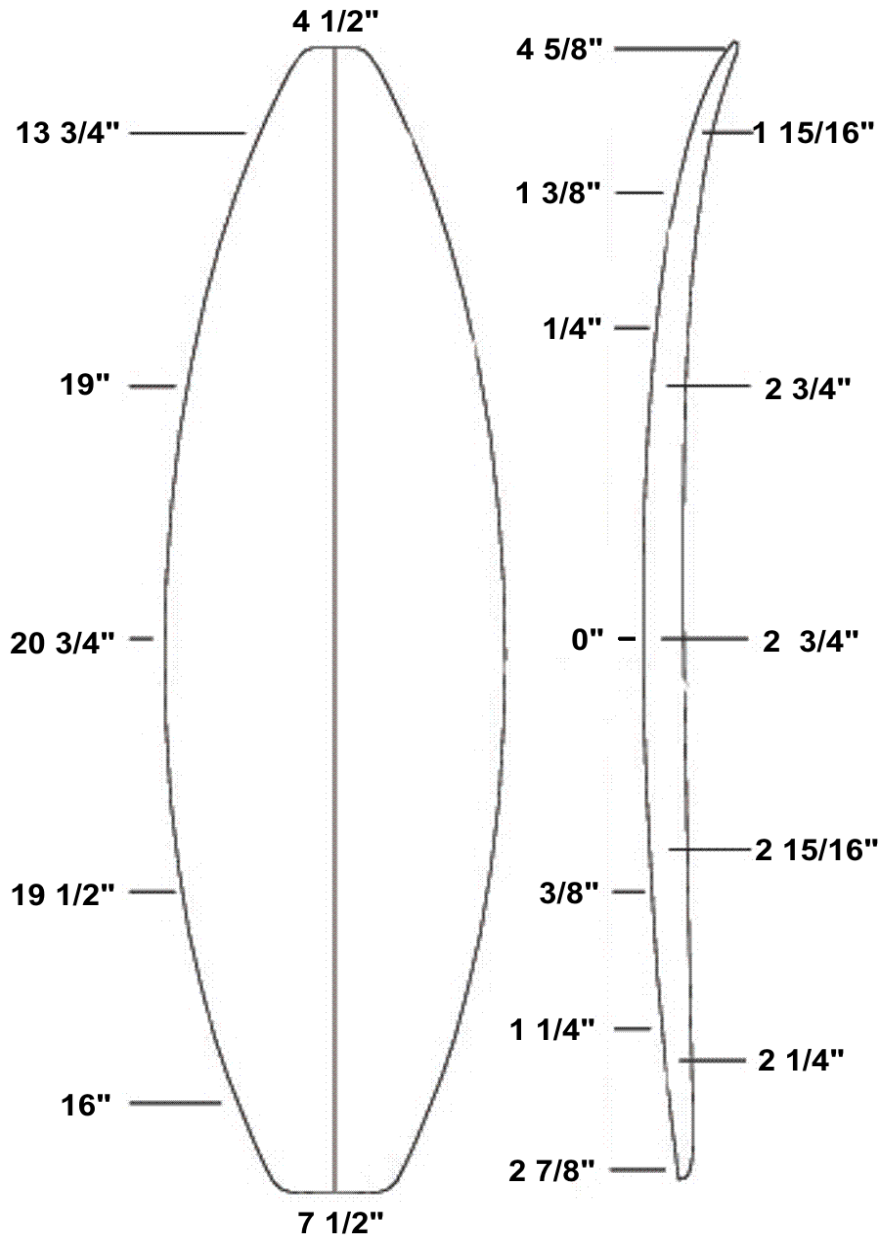
HAND SHAPE

SHAPED BY:

JERRY OKEEFE

TYPICALLY USED FOR:

HIGH PERFORMANCE
SHORTBOARDS



SIZE

6' 5"

BOTTOM LENGTH

6' 5 1/2"

TIP TO TIP DECK LENGTH

6' 5"

MAXIMUM WIDTH

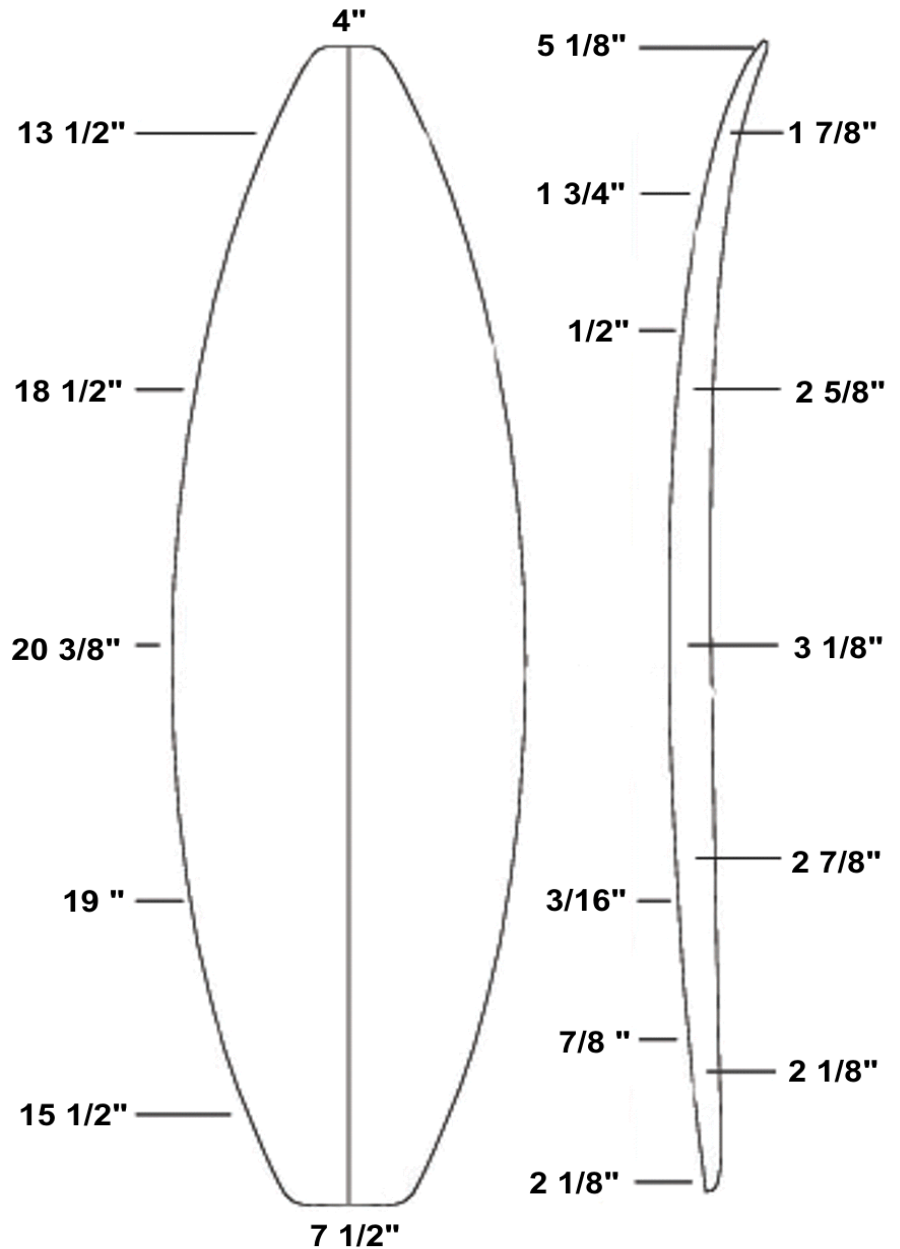
20 3/8"

MAXIMUM THICKNESS

3 1/8"

SHAPED BY:
JERRY OKEEFE

TYPICALLY USED FOR:
HIGH PERFORMANCE
SHORTBOARDS



SIZE

6' 7"

BOTTOM LENGTH

6' 7 1/2"

TIP TO TIP DECK LENGTH

6' 6 1/2"

MAXIMUM WIDTH

21"

MAXIMUM THICKNESS

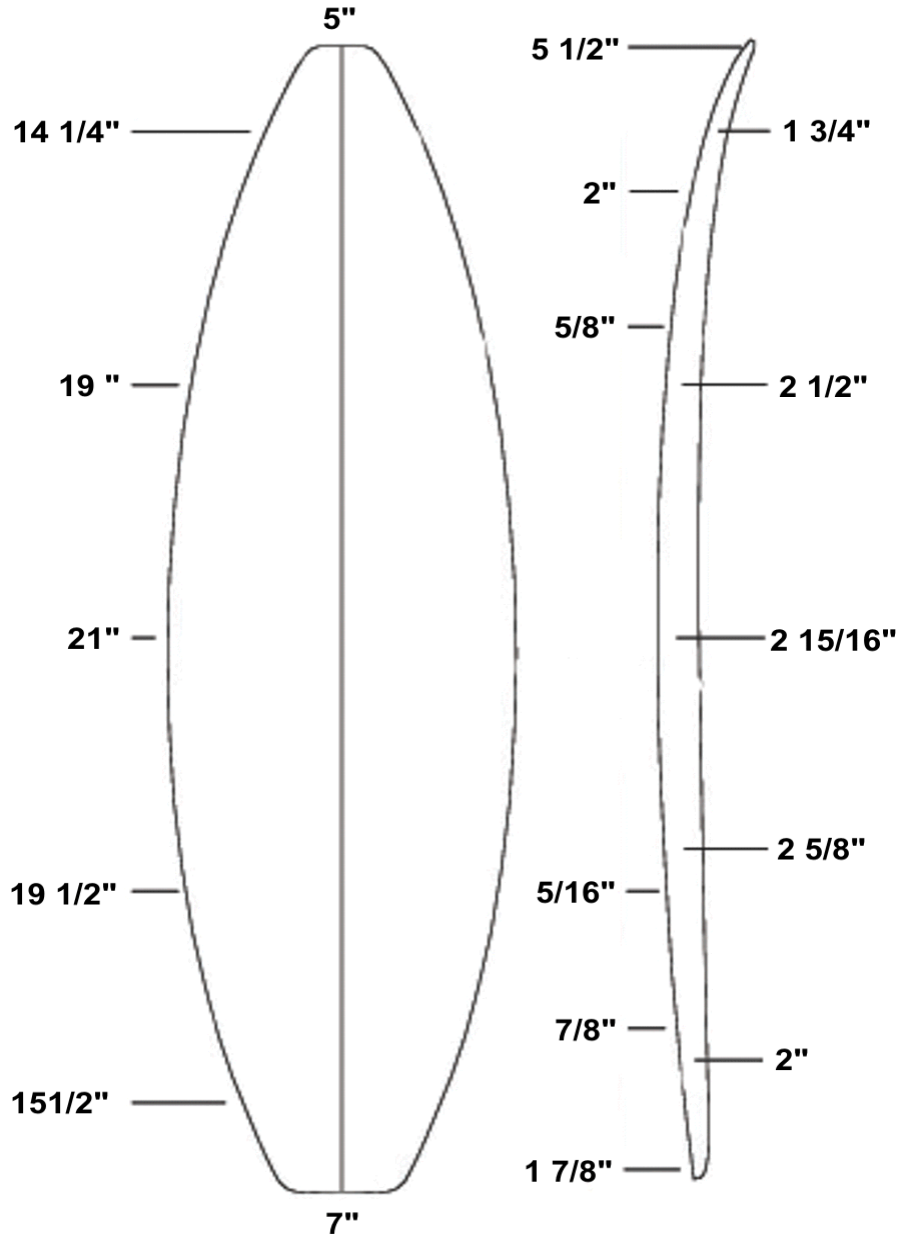
2 15/16"

SHAPED BY:

TIMMY PATTERSON

TYPICALLY USED FOR:

SHORTBOARDS



SIZE

6' 9"

BOTTOM LENGTH

6' 9 3/4"

TIP TO TIP DECK LENGTH

6' 8 3/4"

MAXIMUM WIDTH

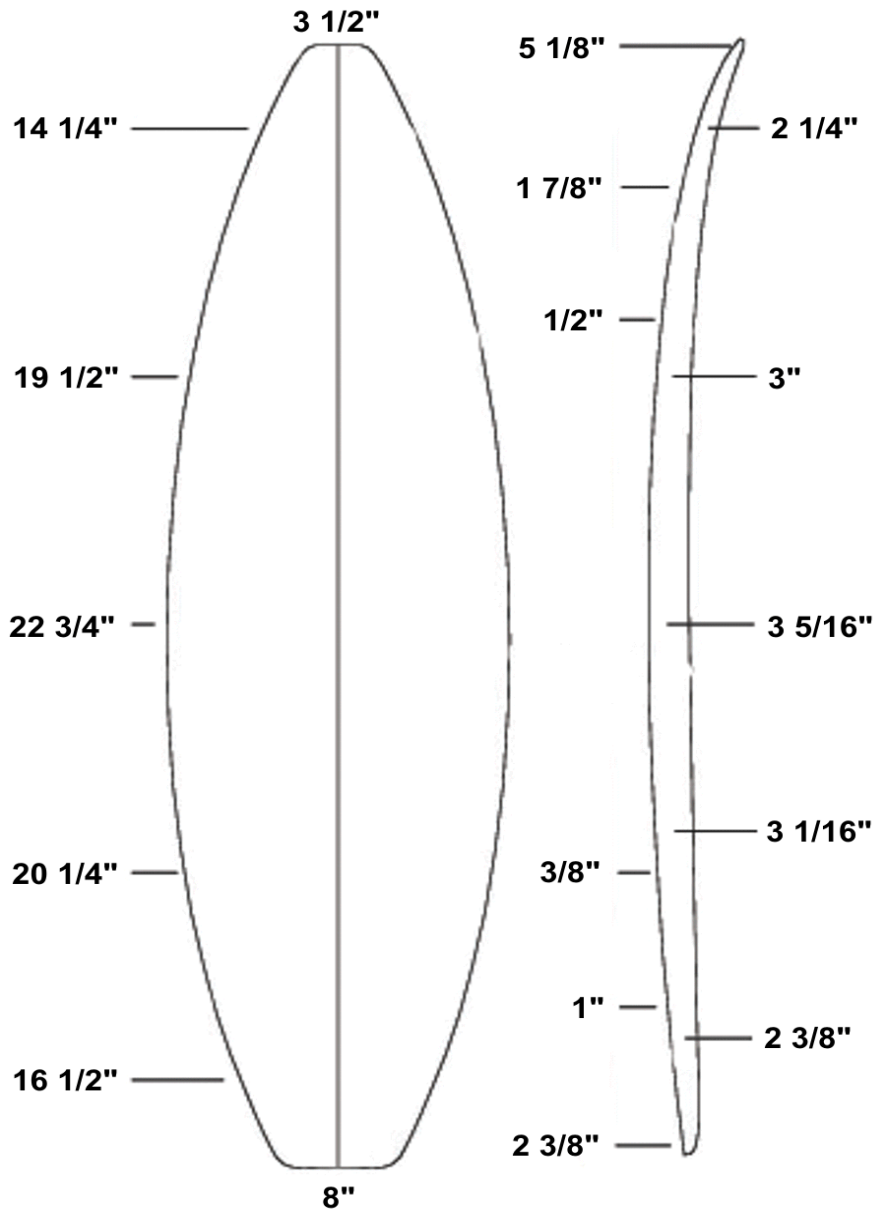
21 3/4"

MAXIMUM THICKNESS

3 5/16"

SHAPED BY:
JERRY OKEEFE

TYPICALLY USED FOR:
MID-RANGE
SURFBOARDS



SIZE

6'10" (FISH)

BOTTOM LENGTH

6'10"

TIP TO TIP DECK LENGTH

6' 9 5/8"

MAXIMUM WIDTH

23 1/2"

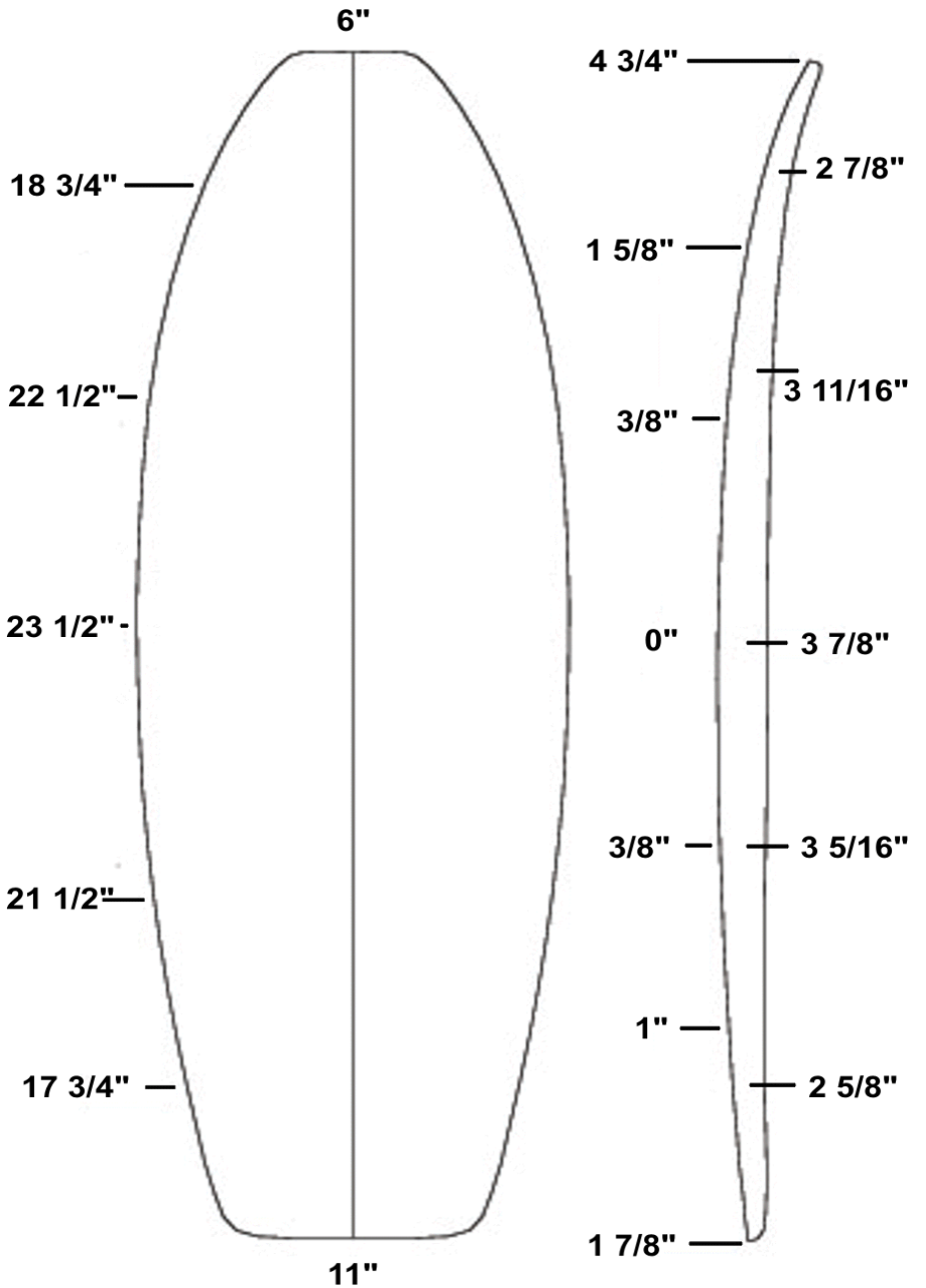
MAXIMUM THICKNESS

3 7/8"

SHAPED BY:

PRO CAM

TYPICALLY USED FOR:
LARGER FISH SHAPES



SIZE
7' 1"

BOTTOM LENGTH

7' 1 1/2"

TIP TO TIP DECK LENGTH

7' 3/4"

MAXIMUM WIDTH

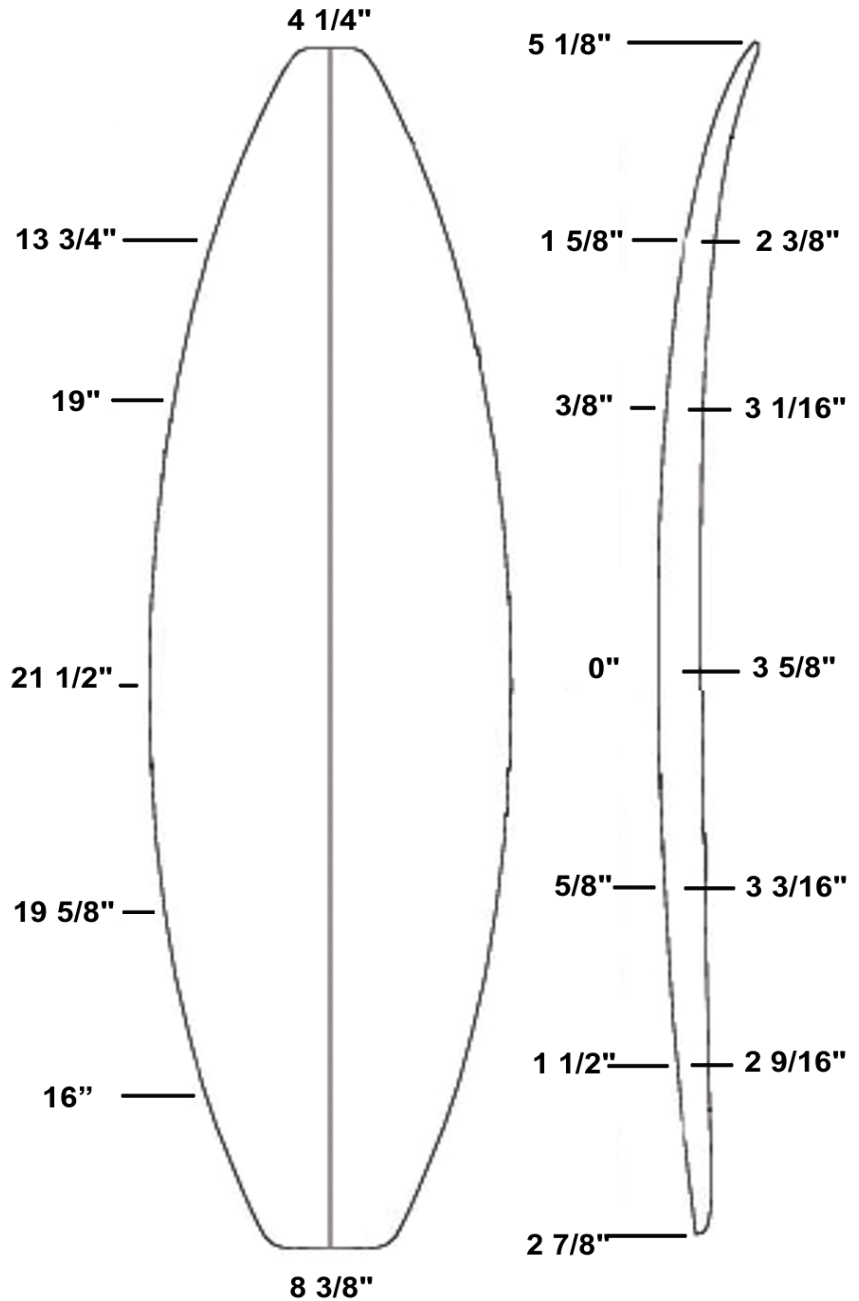
21 1/2"

MAXIMUM THICKNESS

3 5/8"

SHAPED BY:
JERRY OKEEFE

TYPICALLY USED FOR:
LARGER SHORTBOARDS



SIZE
7' 10"

BOTTOM LENGTH

7' 10 1/4"

TIP TO TIP DECK LENGTH

7' 9 1/2"

MAXIMUM WIDTH

22 1/4"

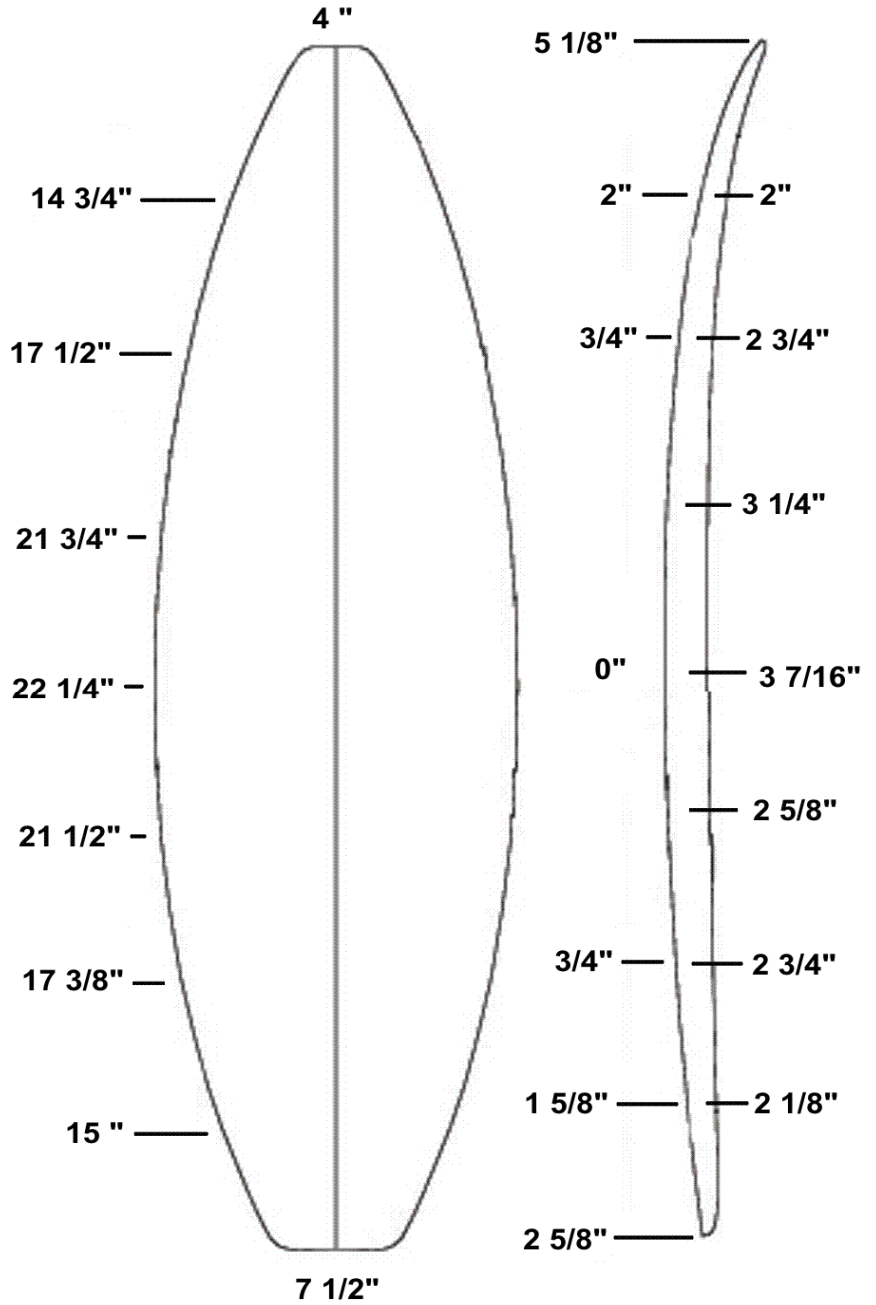
MAXIMUM THICKNESS

3 7/16"

SHAPED BY:

TIMMY PATTERSON

TYPICALLY USED FOR:
LARGER PERFORMANCE
BOARDS



SIZE
7' 4"

BOTTOM LENGTH

7' 4 1/2"

TIP TO TIP DECK LENGTH

7' 3 1/2"

MAXIMUM WIDTH

23 1/2"

MAXIMUM THICKNESS

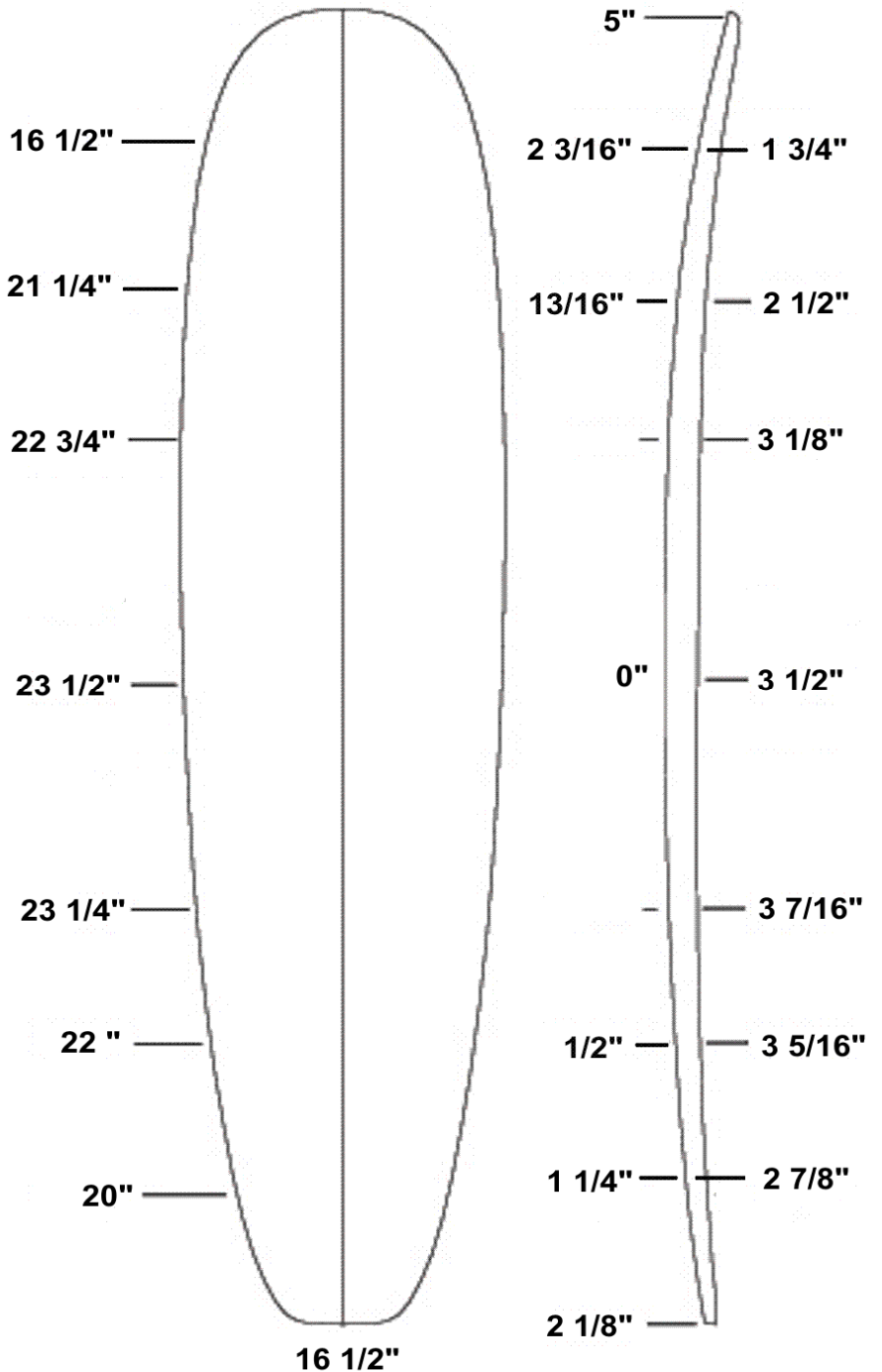
3 1/2"

SHAPED BY:

Jerry Okeefe

TYPICALLY USED FOR:

LONGBOARDS



SIZE
8' 4"

BOTTOM LENGTH

8' 4 1/2"

TIP TO TIP DECK LENGTH

8' 3 1/2"

MAXIMUM WIDTH

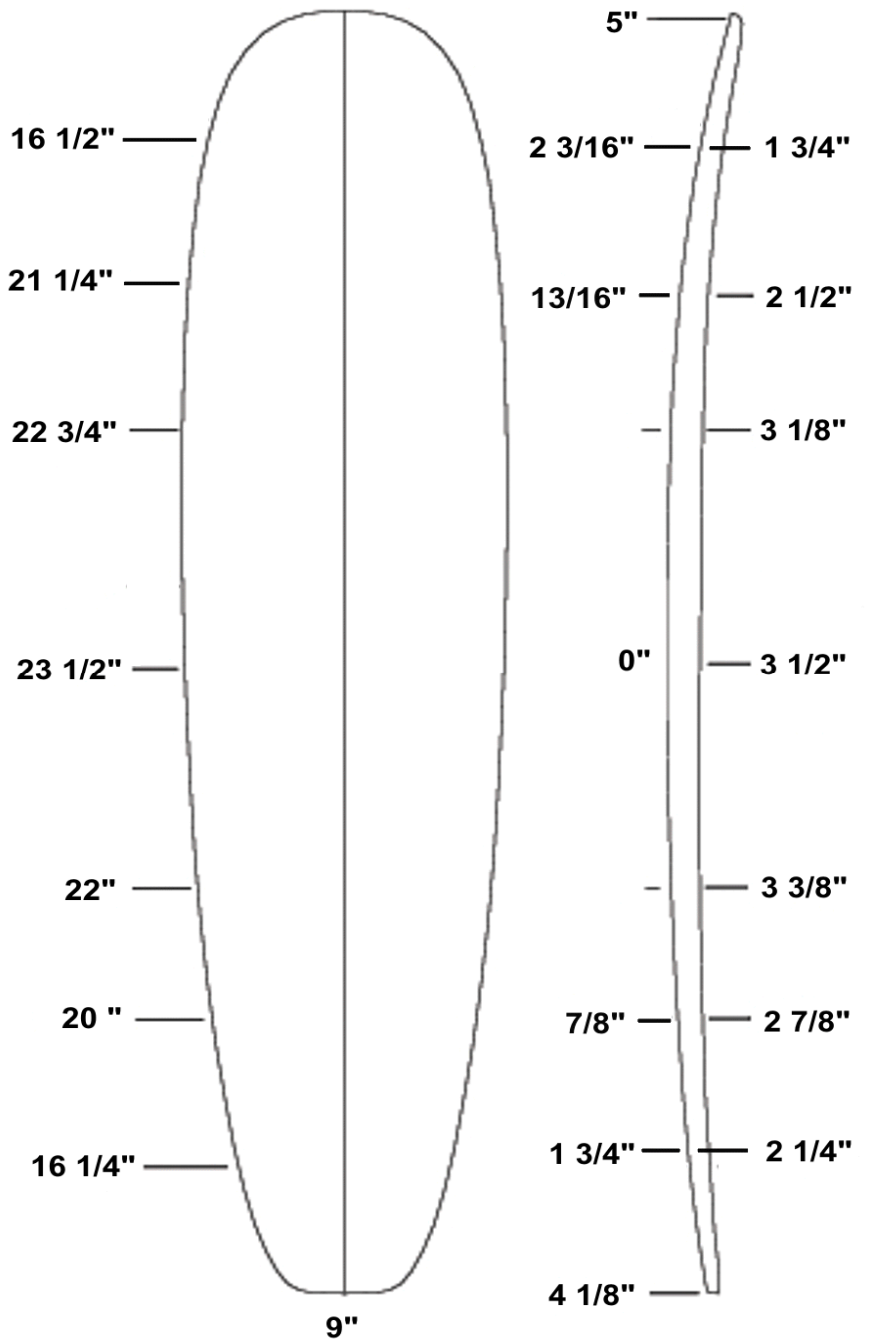
23 1/2"

MAXIMUM THICKNESS

3 1/2"

SHAPED BY:
 JERRY OKEEFE

TYPICALLY USED FOR:
 SMALLER LONGBOARDS



SIZE
8'8" SAIL

BOTTOM LENGTH

8' 7 1/2"

TIP TO TIP DECK LENGTH

8' 6 1/2"

MAXIMUM WIDTH

25 1/2"

MAXIMUM THICKNESS

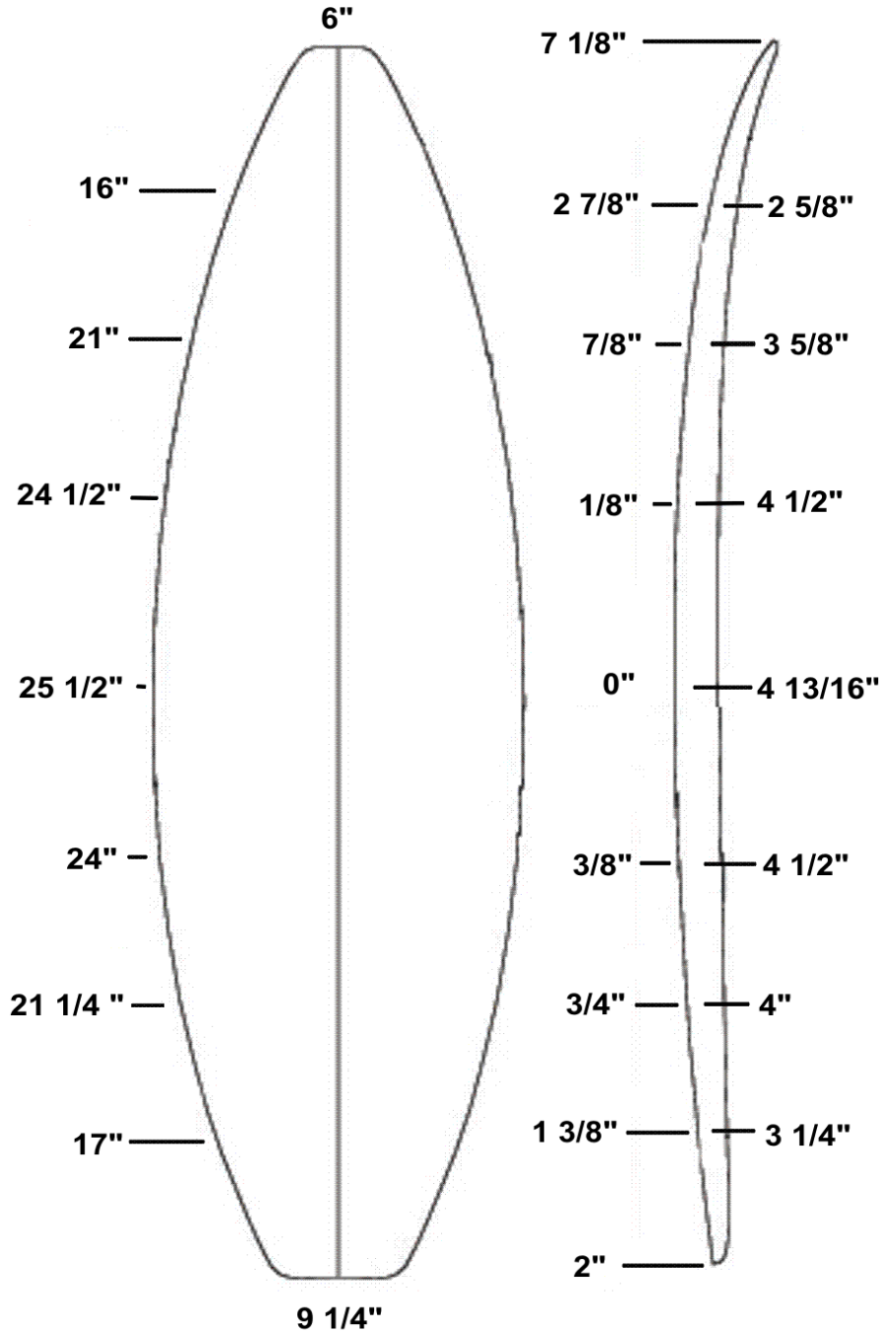
4 13/16"

SHAPED BY:

TIMMY PATTERSON

TYPICALLY USED FOR:

SAILBOARDS



SIZE
9' 3"

BOTTOM LENGTH

9' 3 3/8"

TIP TO TIP DECK LENGTH

9' 2 3/8"

MAXIMUM WIDTH

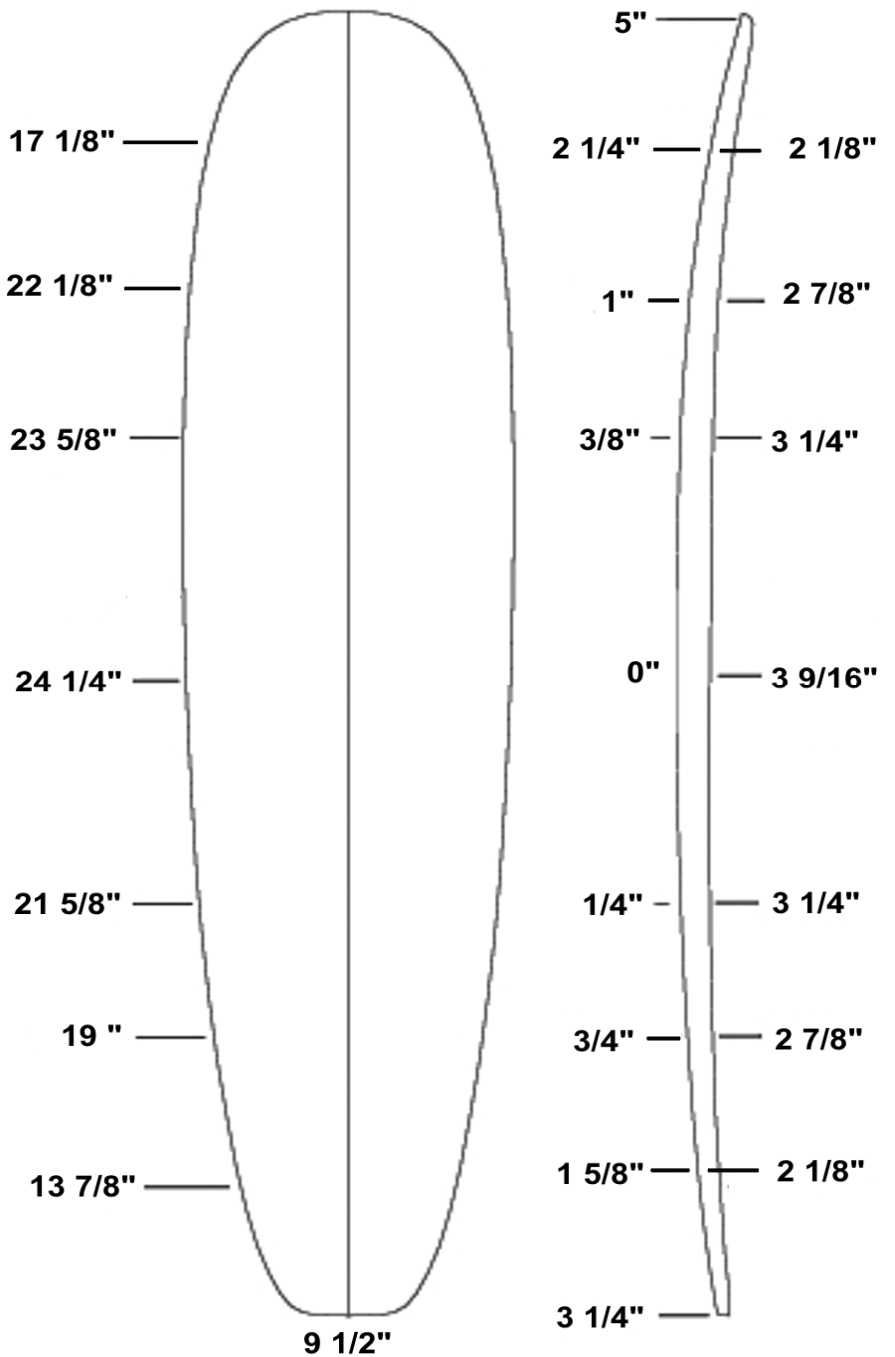
24 1/4"

MAXIMUM THICKNESS

3 9/16"

SHAPED BY:
 JERRY OKEEFE

TYPICALLY USED FOR:
 SMALLER LONGBOARDS



SIZE
9' 8"

BOTTOM LENGTH

9' 8"

TIP TO TIP DECK LENGTH

9' 7 3/8"

MAXIMUM WIDTH

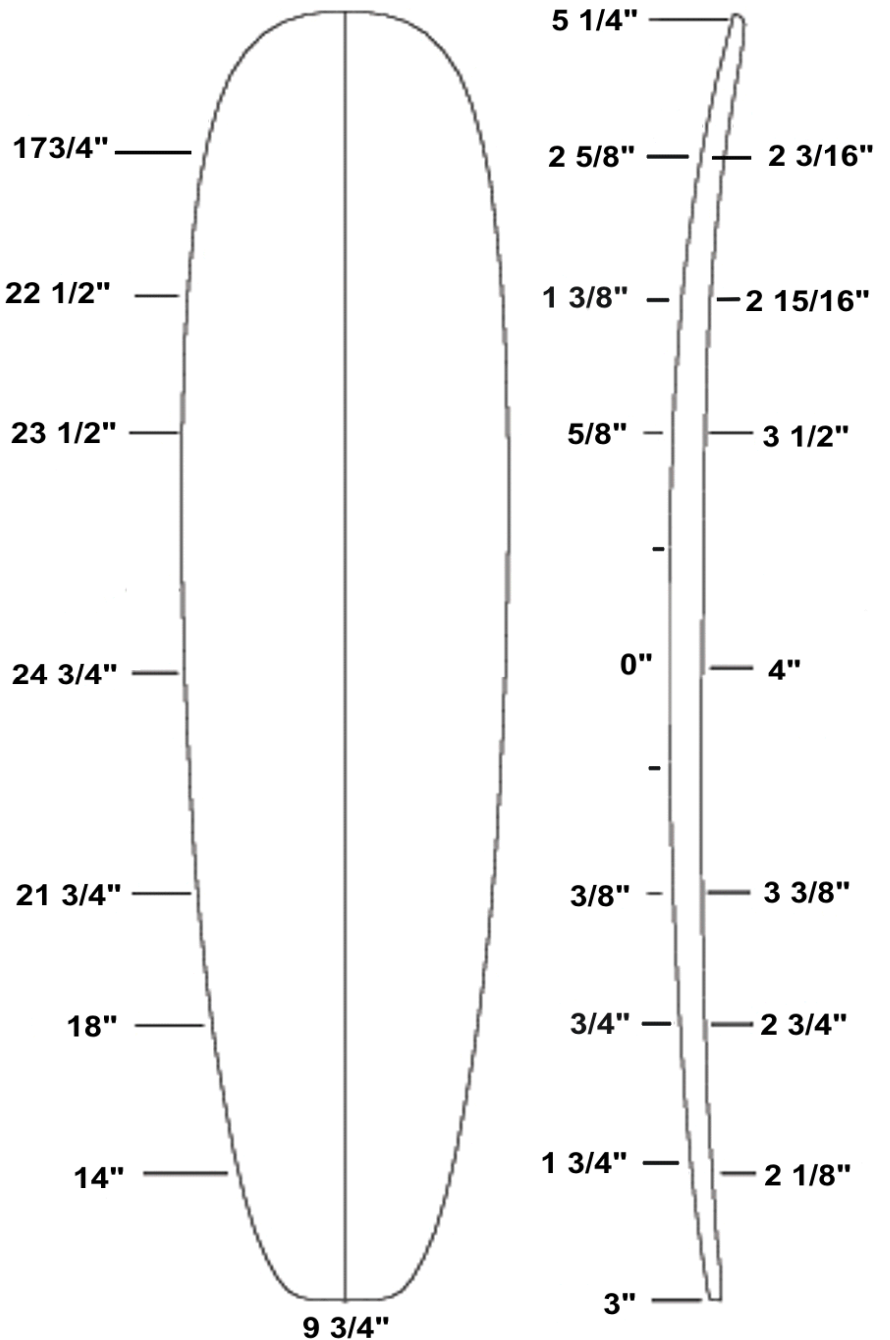
24 3/4"

MAXIMUM THICKNESS

4"

SHAPED BY:
 JERRY OKEEFE

TYPICALLY USED FOR:
 SMALLER LONGBOARDS

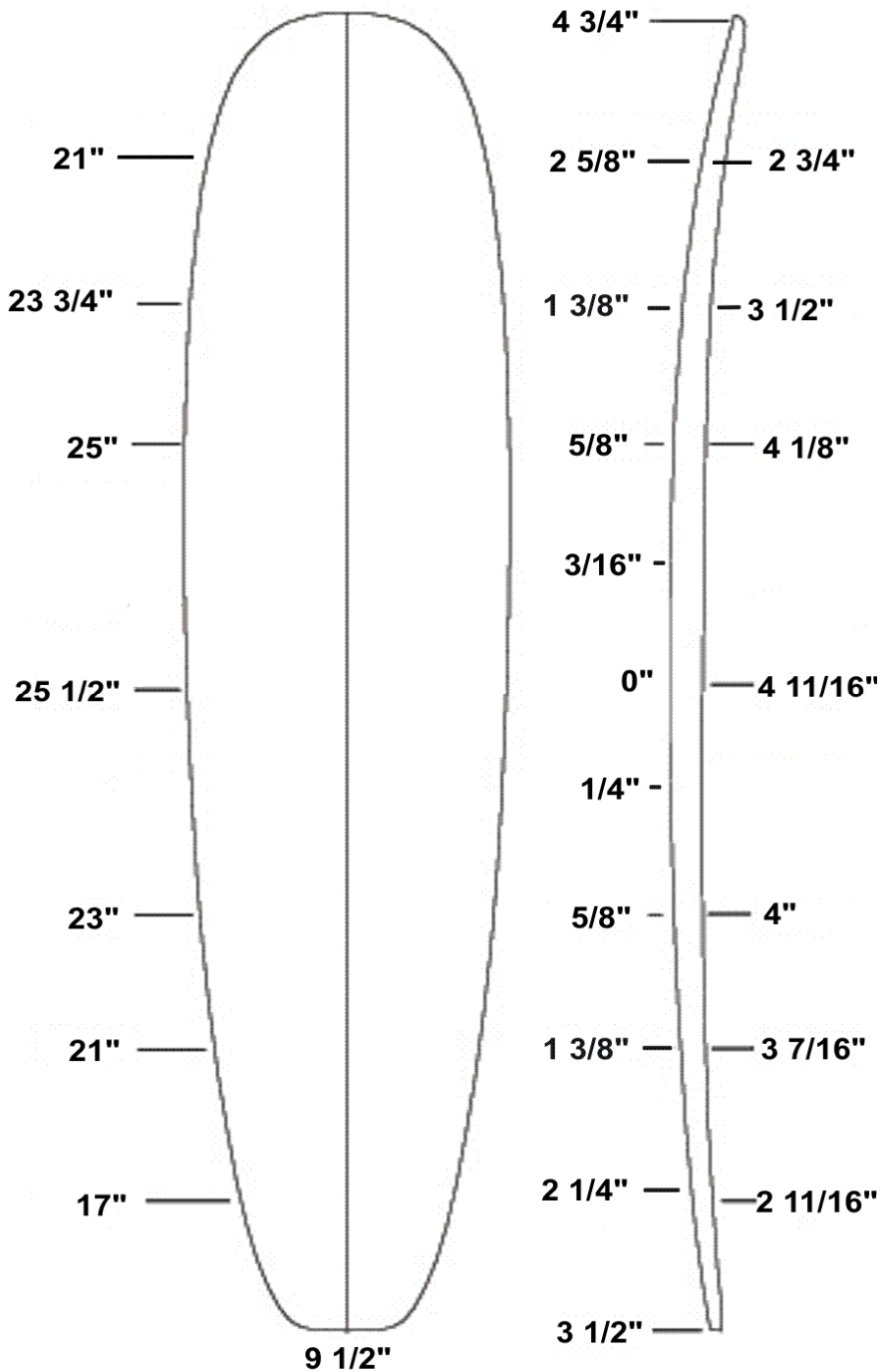


SIZE
10' 10"

-
- bottom length
10' 9 1/4"
 - tip to tip deck length
10' 8"
 - maximum width
25 1/2"
 - maximum thickness
4 11/16"

SHAPED BY:
 Terry Martin

TYPICALLY USED FOR:
 Large Longboards



CONTACT US

SALES

PHONE: (760) 643-2285

FAX: (760) 494-5838

EMAIL: SALES@JUSTFOAMBLANKS.COM

CUSTOMER SUPPORT

PHONE: (760) 643-2285

FAX: (760) 494-5838

EMAIL: INFO@JUSTFOAMBLANKS.COM

GENERAL INFORMATION

OUR WEBSITE IS WWW.JUSTFOAMBLANKS.COM, OUR BLANK SELECTION IS BEING UPDATED WEEKLY AND OUR PRODUCTION CAPABILITY WILL BE UPDATED AS WELL FOR THE SHAPING COMMUNITIES CONVENIENCE.

**JUST
FOAM
MADE IN USA**